

The World's Most Trusted Industrial Bolting Systems

# ICE™ Series

Square Drive Torque/Tension Wrench



## 45년 기술혁신의 결정체

무한한 능력의 집약형 볼팅시스템.... ICE 시리즈

### 세계 최초

#### 자동플림 볼팅시스템

볼팅작업 후 빠르고 쉬운 볼팅작업 이동과 안전을 위한 자동 압력해제

#### 완전히 자유로운 호스연결부

세계에서 유일한, 유압호스로 인한 간섭을 없애 제약 없이 작업위치를 선정할 수 있는 유압 볼팅시스템

#### 다중 운용 방식

HYTORC Nut, Hytorc Washer 그리고 새로운 혁신제품인 Z-Washer와 함께 사용되는 텐서닝을 포함한 모든 HYTORC 볼팅시스템과 함께 사용



## ACCESSORIES



**FIELDCHECK**

Calibration of your tools just got more convenient! Verify the torque output of your tools, on the job site, instantly with the NEW FIELDCHECK! (28page 참조)



**SOCKETS**

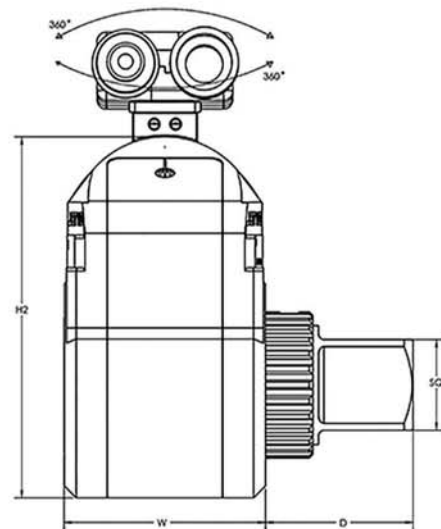
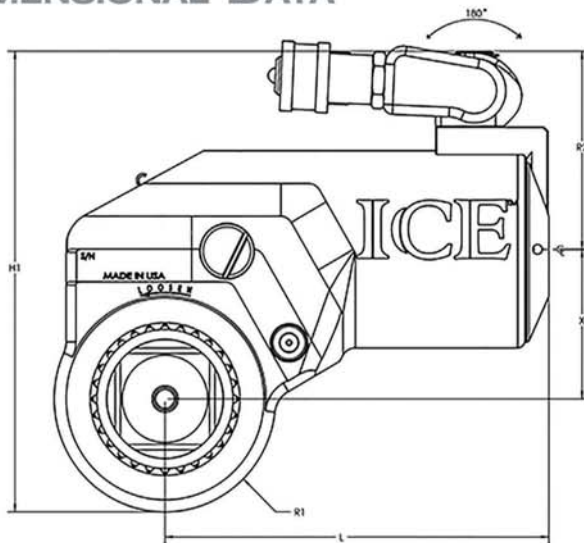
Impact and torque assert different stress loads to sockets. Male and female, Hex and Allen sockets, in all sizes and configurations. The difference is quality and instant availability.



**REACTION FIXTURES**

Standard & customized reaction fixture solutions for every type of application.

## DIMENSIONAL DATA



DRIVE	R1	R2	D	W	X	L	H1	H2	Weight	Min Torque	Max Torque	
Model	Inches/mm									lbs./Kg.	Ft. Lbs./Nm	
ICE-1	¾"	1.13/28.7	2.35/59.69	1.34/34.04	2.18/55.37	1.54/39.12	4.43/112.52	5.02/127.51	3.70/93.98	6/2.72	196/266	1,284/1,741
ICE-3	1"	1.50/38.1	3.00/76.2	1.85/46.99	2.89/73.41	2.05/52.07	5.55/140.97	6.55/166.37	4.91/124.71	10/4.5	445/603	2,969/4,025
ICE-5	1 ½"	1.86/47.24	3.27/83.06	2.48/62.99	3.39/86.11	2.47/62.74	6.45/163.83	7.60/193.04	5.95/151.13	18/8.16	804/1,090	5,360/7,266
ICE-11*	1 ½"	2.38/60.45	3.99/101.35	2.67/67.82	4.35/110.49	3.15/80.01	8.34/211.84	9.52/241.81	7.56/192.02	*Coming Soon		
ICE-21*	2 ½"	2.60/66.04	4.42/112.27	3.78/96.01	5.70/144.78	3.75/95.25	9.65/245.11	10.77/273.56	8.80/223.52			
ICE-35*	2 ½"	3.19/81.03	5.00/127	3.90/99.06	6.51/165.35	4.61/117.09	11.68/296.67	12.81/325.37	10.84/275.34			

\*Coming Soon. All dimensions, torque and design parameters may vary without notice due to design improvements and no claims will be entertained in this regard.